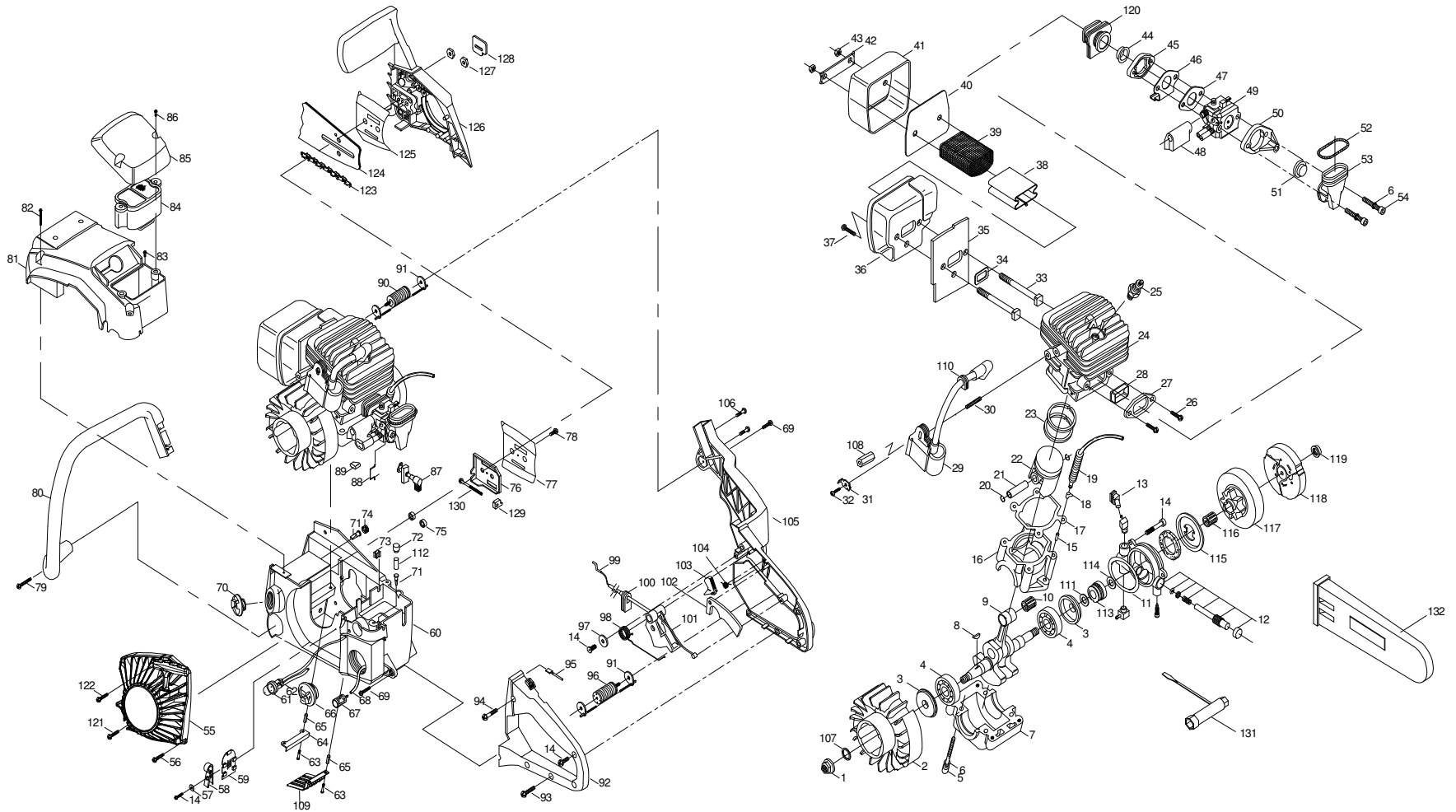




# 55cc 50cm Chain Saw

AC310220S / AC3102-55SC

## PARTS DRAWING





55cc 50cm Chain Saw  
AC310220S/AC3102-55SC

#####

PARTS LIST

No.	Part No.	Husqvarna Part No.	Description	Qty.
1	9NAB51624	522349501	FLYWHEEL NUT (R.H.T.)	1
2	922831B206	522340001	FLYWHEEL	1
3	9157310201	522174601	SEAL	2
4	9DBE620201	522348901	BEARING	2
5	9SREB1024275	522363901	SCREW	4
6	9WFB02	522365501	WASHER	6
7	9072310201F	522332001	CRANK CASE LOWER	1
8	9221310001	522185201	KEY	1
9	9228310203F	522339601	C/SHAFT & CONNECTING ROD ASSY	1
10	9155310201	522174101	BEARING	1
11	9076310201	522156501	O RING	1
12	9228310208	522187401	OIL PUMP ASSEMBLY	1
13	9154310201	522173701	HOSE CONNECTOR	1
14	9SKKBY81605	522362001	SCREW	6
15	9124310201	522164901	HOSE CONNECTOR	1
16	9072310202F	522332101	CRANK CASE UPPER	1
17	9014310212	522118901	GASKET	1
18	9036310201	522138901	HOSE CLAMP	1
19	9059310201	522145601	HOSE PROTECTOR	1
20	9CA046	522348001	C RING	2
21	9PC10325	522353701	PISTON PIN	1
22	9290310201	522211901	PISTON	1
23	9189310201	522180401	PISTON RING	2
24	9292310201F	522347501	CYLINDER	1
25	AO9295320001	522376301	SPARK PLUG	1
26	9SKKBY1024062	522361401	SCREW	2
27	9014310203	522118601	FLANGE	1
28	9131310202	522170001	CYLINDER INSERT	1
29	9288310201CH	522347001	IGNITION MODULE ASSEMBLY	1
30	9191310201	522181201	MODULE BOLT	1
31	9051310202	522144001	CONTACT TAB	1
32	9SKKBY1024075	522361501	SCREW	1
33	9STDZY1024279	522364401	SCREW	2
34	9014310208	522118801	MUFFLER INSERT	1
35	9082310201	522158001	BAFFLE PLATE	1
36	9228310217	522188201	MUFFLER HOUSING	1
37	9SKKBY102405	522361301	SCREW	1
38	9211310201	522183801	PLATE	1
39	9183310201	522178501	SPARK ARRESTER SCREEN	1
40	9082310205	522158201	BAFFLE PLATE	1
41	9017310204	522124701	MUFFLER COVER	1
42	9158310201	522175401	LOCK PLATE	1
43	9NAC1024	522349701	NUT	2
44	9131310203	522170101	FLANGE LOCATOR	1
45	9014310204	522118701	FLANGE	1
46	9102310202	522160301	PLATE	1
47	9014310202	522118501	GASKET	1
48	9124310203	522165101	COVER	1
49	9287310201	522210201	CARBURETOR	1
50	9014310201	522118401	FLANGE	1

No.	Part No.	Husqvarna Part No.	Description	Qty.
51	9131310204	522170201	FLANGE LOCATOR	1
52	9024310202	522131801	SPRING	1
53	9124310204	522165201	COVER	1
54	9SREB10241625	522363801	SCREW	2
55	922831B209	522340101	STARTER ASSEMBLY (SUPER START)	1
56	9SKKBY10140625	522361001	SCREW	2
57	9WPFZ018	522367401	WASHER	1
58	9223310201	522185401	CABLE CLAMP	1
59	9183310202	522178601	SCREEN	1
60	9228310205	522187301	FUEL / OIL TANK ASSEMBLY	1
61	9142310002	522172401	PRIMER	1
62	9129310214	522168101	HOSE	1
63	9SKKBY10241	522361601	SCREW	4
64	9043310201	522142401	PLATE	1
65	9124310206	522165401	SPACER	4
66	AO9228310206	522372901	FUEL CAP	1
67	9182310001	522178101	FUEL FILTER	1
68	9129310004	522167801	HOSE	1
69	9SKKZY101401	522362501	SCREW	2
70	AO9228310207	522373001	OIL CAP	1
71	9070310002	522152301	VALVE	2
72	9129310209	522168001	HOSE	1
73	9013310201	522116801	PLUG	1
74	9252310002	522208001	FOAM FILTER	1
75	9131310206	522170301	WASHER	2
76	9043310203	522142601	RETAINING PLATE	1
77	9043310202	522142501	INNER PLATE	1
78	9SKKBY6190375	522361901	SCREW	1
79	9SKKB121415	522359101	SCREW	1
80	922831B202	522339901	FRONT HANDLE ASSEMBLY	1
81	9228310216	522188101	CRANKCASE COVER ASSEMBLY	1
82	9SKKBY101402	522360901	SCREW	2
83	9SKKBY1014068	522361101	SCREW	1
84	9228310204	522187201	AIR CLEANER ASSEMBLY	1
85	9067310202	522148501	AIR CLEANER COVER	1
86	9214310101	522184401	SCREW	2
87	9228310230	522188501	CHOKE KNOB ASSEMBLY	1
88	9114310202	522163001	CHOKE LEVER	1
89	9013310202	522116901	INSERT	1
90	9228310213	522187801	ISOLATOR ASSEMBLY	1
91	9228310214	522187901	WASHER	2
92	9228310232	522188701	HANDLE LEFT	1
93	9SKKBY8160625	522362101	SCREW	3
94	9SKKBY8161	522362301	SCREW	1
95	9010310203	522112401	WIRE	1
96	9228310222	522188301	ISOLATOR ASSEMBLY	1
97	9WFB4917	522366701	WASHER	1
98	9024310206	522131901	SPRING	1
99	9010310201	522112301	CABLE	1
100	9124310209	522165501	GROMMET	1

No.	Part No.	Husqvarna Part No.	Description	Qty.
101	9028310202	522136201	TRIGGER	1
102	9028310201	522136101	RELEASE, TRIGGER	1
103	9072310203	522153101	TRIGGER LATCH	1
104	9024310207	522132001	SPRING	1
105	9068310203	522149501	HANDLE RIGHT	1
106	9SGKBY102405	522357901	SCREW	2
107	9WOC08	522367901	WASHER	1
108	9124310205	522165301	SPACER	1
109	9043310205	522142701	PLATE	1
110	9012330301	522116101	GROMMET	1
111	6014M96A01	522280301	WASHER	2
112	6182210101	522081801	FILTER	1
113	9073310201	522155701	GEAR, WORM	1
114	9WFN04	522367201	WASHER	1
115	9WDZ0722	522365201	WASHER	1
116	9155310203	522174201	BEARING	1
117	9228310211	522187601	DRUM SPROCKET ASSEMBLY	1
118	9228310210	522187501	CLUTCH ASSEMBLY	1
119	9NHC09	522351801	NUT LHT (9.5mm thread)	1
120	9124310202	522165001	CARBURETTOR COVER	1
121	9SKKBY10140625	522361001	SCREW	1
122	9SKKBY102405	522361301	SCREW	1
123	AO922031B203	522371601	50CM CHAIN(1.3mm/0.325/78L)	1
124	AO904031A215F	522370101	50CM SPROCKET TIP GUIDE BAR	1
125	9082310204	522158101	OUTER PLATE	1
126	9228310215	522188001	CHAIN BRAKE ASSEMBLY	1
127	9NAZ51618	522349901	NUT	2
128	9072310206	522153201	PLATE	1
129	9025310201	522138801	CHAIN TENSIONER NUT	1
130	9214310201	522184501	CHAIN TENSIONER SCREW	1
131	9042310201	522141801	WRENCH	1
132	6101210508	522070701	50cm CHAIN AND BAR COVER	1